

PATCO® D9100
FR Aircraft Waterseal Tape &
Corrosion Inhibitor

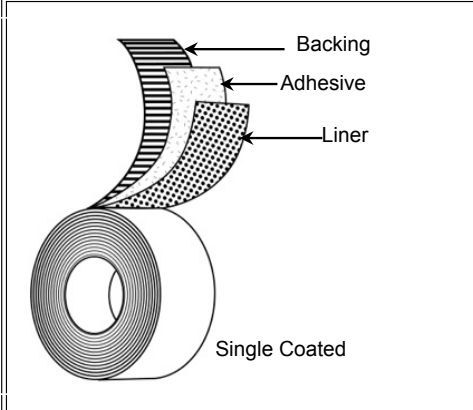
APPLICATIONS

- Floor joint sealing on aircraft decking in all wet areas including:
 - Entryways
 - Galleys
 - Lavatories
 - Other areas susceptible to moisture.
- Surface protection.
- Sound dampening.

FEATURES & BENEFITS

- Tough & durable.
- Moisture resistant.
- Flame retardant - meets FAR 25.853(a)
- Allows wide-width usage; can be die-cut.
- Helps prevent corrosion on floor structures.
- Can be used directly over wet sealant.
- Easy to apply.
- Meets BMS 8-346D, Airbus 10-05-004, and ABD0031, Para 7.3.2
- NSN 8030-01-542-1415

CONSTRUCTION



PRODUCT DESCRIPTION

Single-Coated w/Liner Construction

Backing:

- Interior-Grade Aromatic Polyurethane

Adhesive:

- Urethane-Based

Liner:

- 92# Coated Kraft Paper

Colors:

- Transparent

TEST DATA

Test	Typical Value	Typical Value (Metric)	Test Method
Total Thickness	9 mils	0.229 mm	PSTC-133
Substrate Thickness	7 mils	0.178 mm	PSTC-133
Adhesion to Steel	40 oz./in.	0.438 N/mm	ASTM D-3330
Tensile Strength	60 lb./in.	10.508 N/mm	ASTM D-3759
Elongation (%)	600 %		
Application Temperature Range	50°F to 120°F	10°C to 49°C	
Operating Temperature Range	-65°F to 300°F	-54°C to 148°C	
Tabor Abrasion/Wear Index	0.57		ASTM D-4060
Shelf Life @ 25° C (77° F)**	24 months		
Abrasion/Wear Index	0.98		ASTM D4060

**Recommended storage conditions: 50% Humidity, 72 °F (22C)

The information presented herein was prepared at BERRY PLASTICS CORPORATION (25 Forge Parkway Franklin, MA 02038) by qualified technical personnel. To Berry Plastics' knowledge it is true and accurate. However, the information and recommendations are furnished for these products with the understanding that the purchaser or user, as the case may be, will independently determine that the product is suitable for the intended use, and that such use complies with all applicable federal, state and local laws and regulations. The data are submitted only for the user's information and consideration, and do not constitute a warranty of any kind (including but not limited to a warranty of merchantability or of fitness for a particular purpose), or a representation for which BERRY PLASTICS assumes any legal responsibility.